

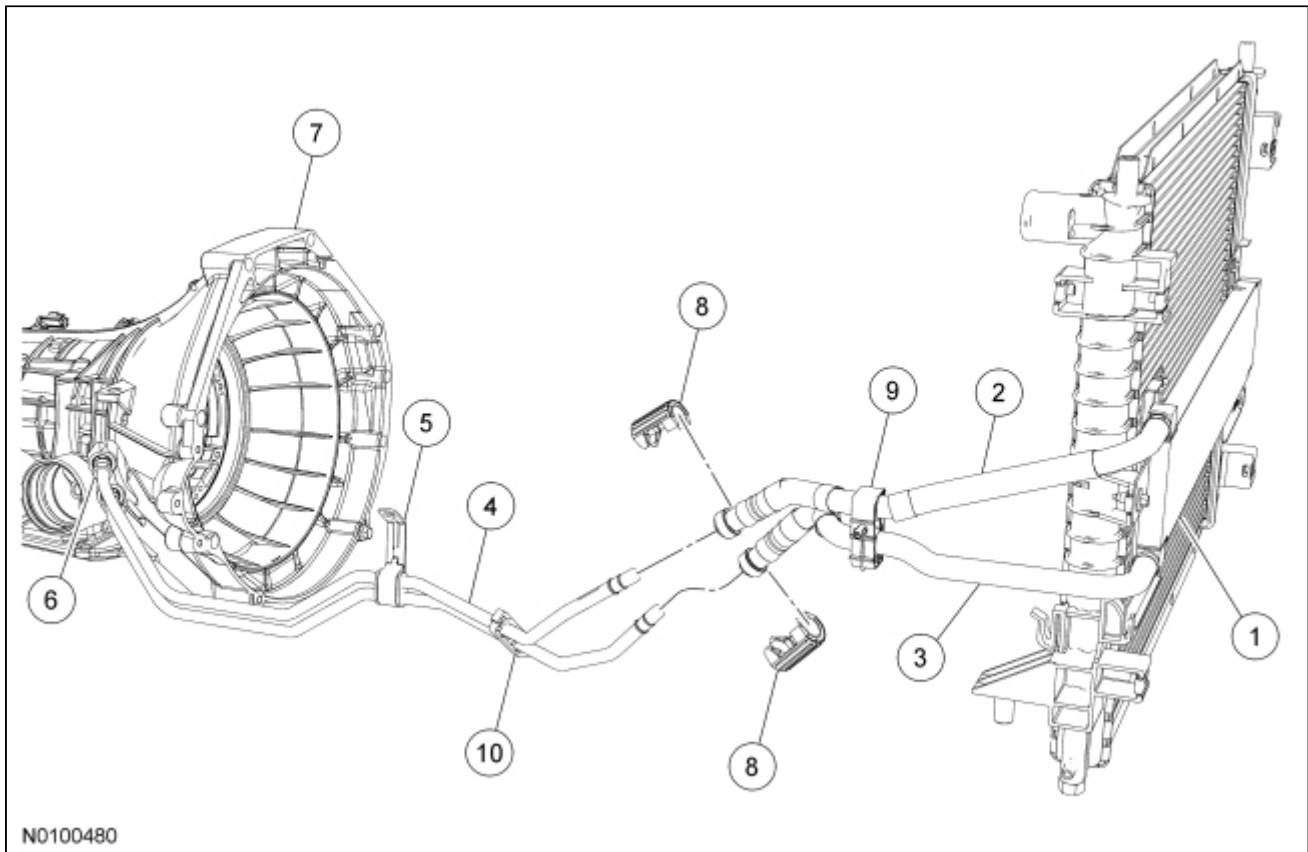
Transmission Cooling

Vehicles with automatic transmissions are equipped with a transmission fluid cooler. The transmission fluid cooler transfers heat from the transmission fluid to the ambient air.

For Transmission Fluid Cooler Flow Test, refer to [Section 307-01](#).

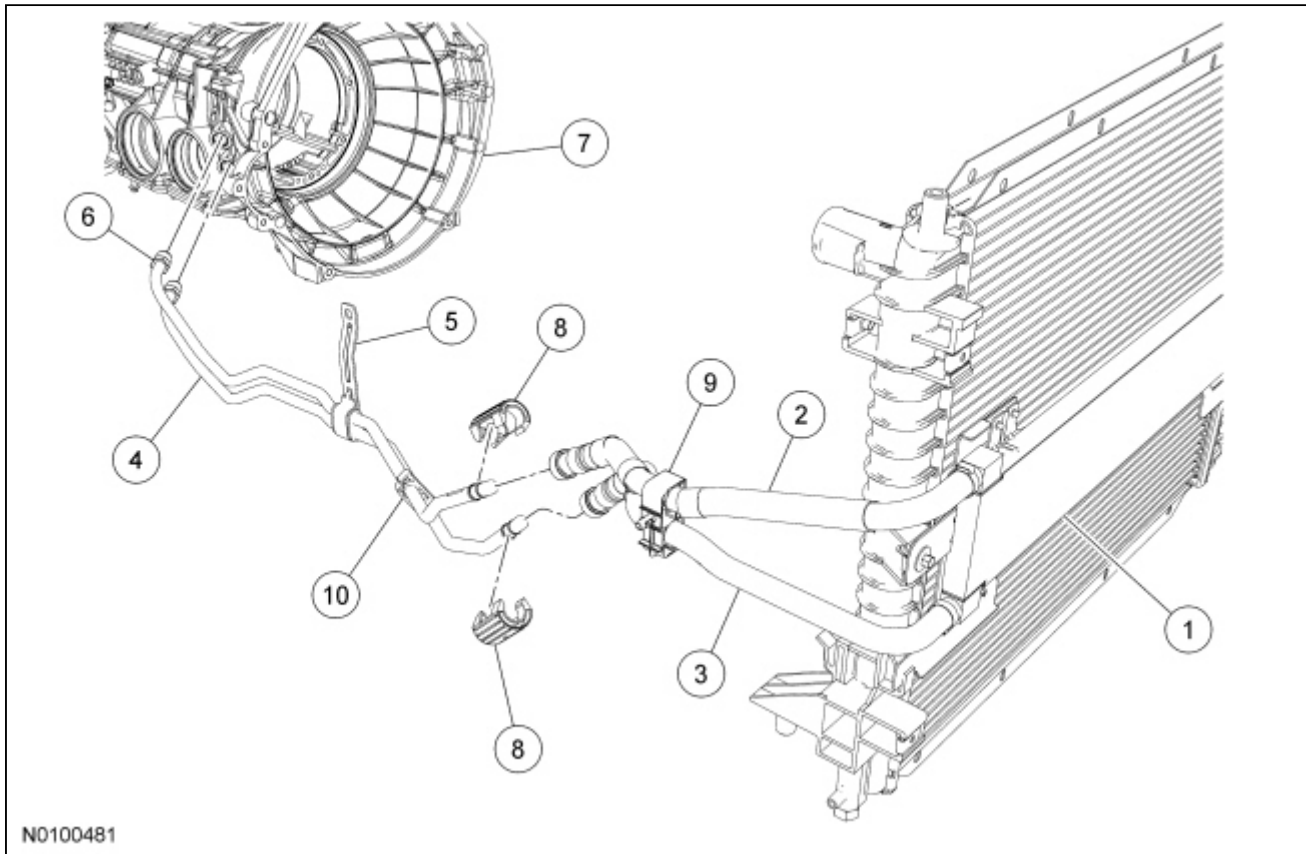
For Transmission Fluid Cooler Backflushing and Cleaning, refer to [Section 307-01](#).

Transmission Fluid Cooler Tubes (4.6L Engine)



Item	Part Number	Description
1	7A095	Transmission fluid cooler
2	—	Transmission fluid cooler outlet hose (part of 7A095)
3	—	Transmission fluid cooler inlet hose (part of 7A095)
4	7R081	Transmission fluid cooler tube assembly
5	—	Transmission fluid cooler tube assembly bracket (part of 7R081)
6	—	Transmission fluid cooler tube assembly nut (part of 7R081)
7	7005	Transmission case
8	7Z465	Transmission fluid cooler tube quick connect secondary latches
9	8W287	Transmission fluid cooler hose-to-frame retainer
10	—	Transmission fluid cooler tube retainer (part of 7R081)

Transmission Fluid Cooler Tubes (4.0L Engine)



N0100481

Item	Part Number	Description
1	7A095	Transmission fluid cooler
2	—	Transmission fluid cooler outlet hose (part of 7A095)
3	—	Transmission fluid cooler inlet hose (part of 7A095)
4	7R081	Transmission fluid cooler tube assembly
5	—	Transmission fluid cooler tube assembly bracket (part of 7R081)
6	—	Transmission fluid cooler tube assembly nut (part of 7R081)
7	7005	Transmission case
8	7Z465	Transmission fluid cooler tube quick connect secondary latches
9	8W287	Transmission fluid cooler hose-to-frame retainer
10	—	Transmission fluid cooler tube retainer (part of 7R081)

